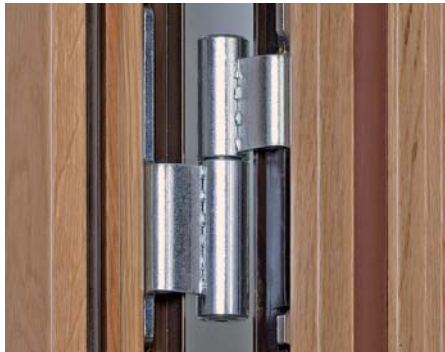


ALUFIX

Hinge for outward opening wood aluminium systems

ALUFIX is an innovative surface mounted hinge for Wood-Aluminium systems. It is **applied on the wood** instead than on the aluminium cover.



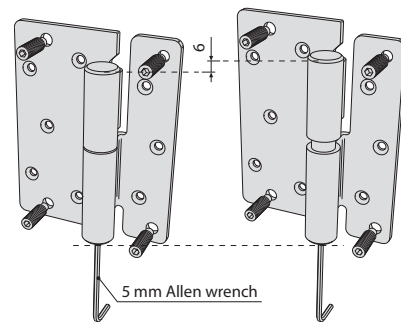
FUNCTIONAL: it makes it possible to remove the profile without having to remove the hinges from the window.



DISCREET: thanks to the application to the wood, the straps are completely hidden by the outer aluminium profile and only the central body of the hinge is visible.



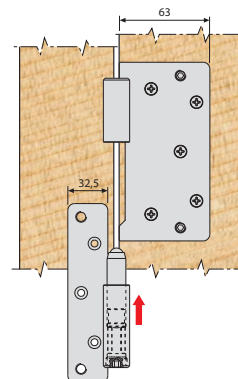
MULTICOLOURED: covers with different finishes can be applied to the hinge body, which is the only visible part. Available in aluminium and brass (for wood bronze systems).



ADJUSTABLE: in height thanks to the Allen head screw placed on the base of the hinge body which make it possible to vary the height up to 6 mm.



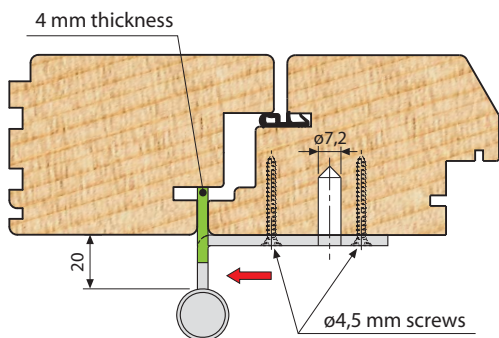
STRONG: thanks to screws (up to 8) and 4 threaded pins $\varnothing 8 \times 25$ ALUFIX offers a significant loading capacity. Stainless steel pin.



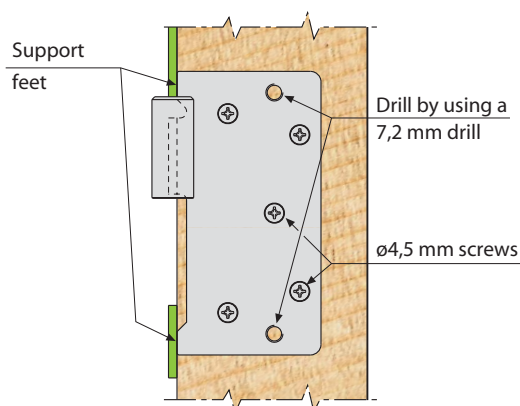
SELF-JIGGING: it is extremely easy to apply and does not need any milling.

ASSEMBLING HAS NEVER BEEN SO QUICK!

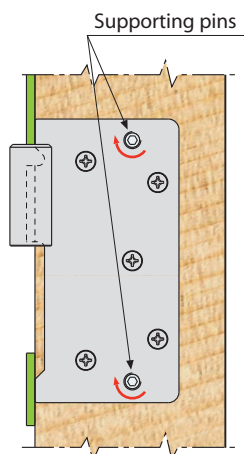
1 Hinge alignment.



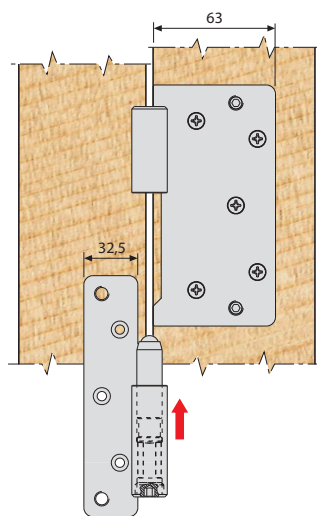
2 Fixing by using $\varnothing 4,5$ mm screws



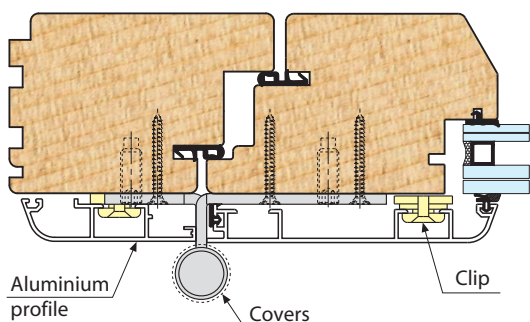
3 Drilling + fixing supporting pins.



4 Insertion of the male part + fixing through screws and pins.



5 Application of aluminium profiles through a clip + covers insertion



ALUFIX

Material	Article	Type
Steel	E01125.20.XX	r.h.
	E01126.20.XX	l.h.

COVERS

Material	Article
Brass	E01128.20.XX
Aluminium	E01129.20.XX

NB. Refer to price list in force to verify the availability of the measures and special finishes on demand.