

Eclipse 5.0

High loading capacity hinges for flush doors

New high-capacity concealed hinge, designed for flush doors with heavy sashes and for hotel doors. Thanks to the three micrometric and independent adjustments, Eclipse 5.0 makes it easy to adjust even on very heavy doors. The screw-fixed metal covers ensure a precise and long-lasting fit.



Up to 100 kg of loading capacity with two hinges.



Three micrometric and separate adjustments. Simple management of heavy sash.

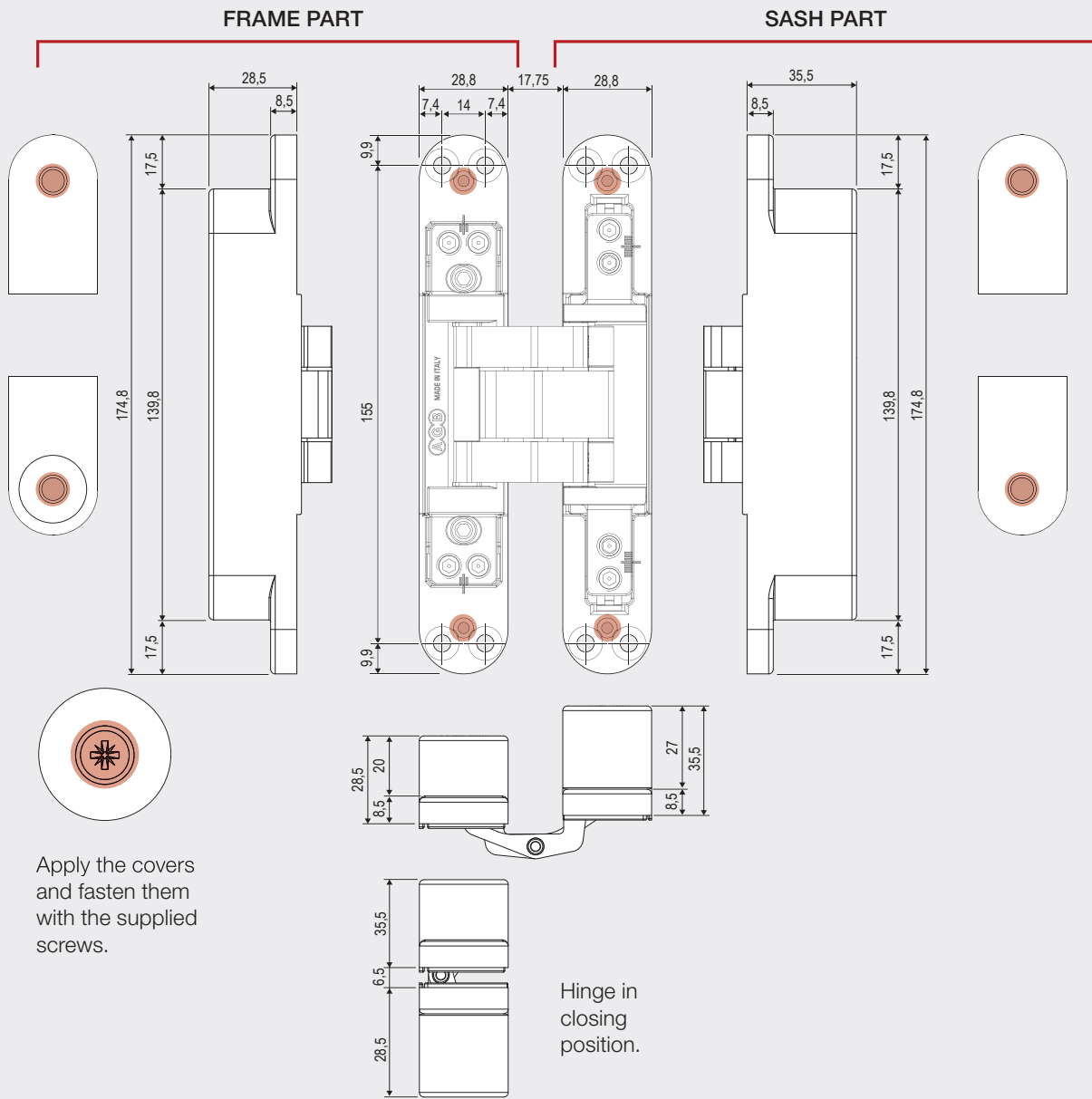


Perfect together with door closer or door stopper.

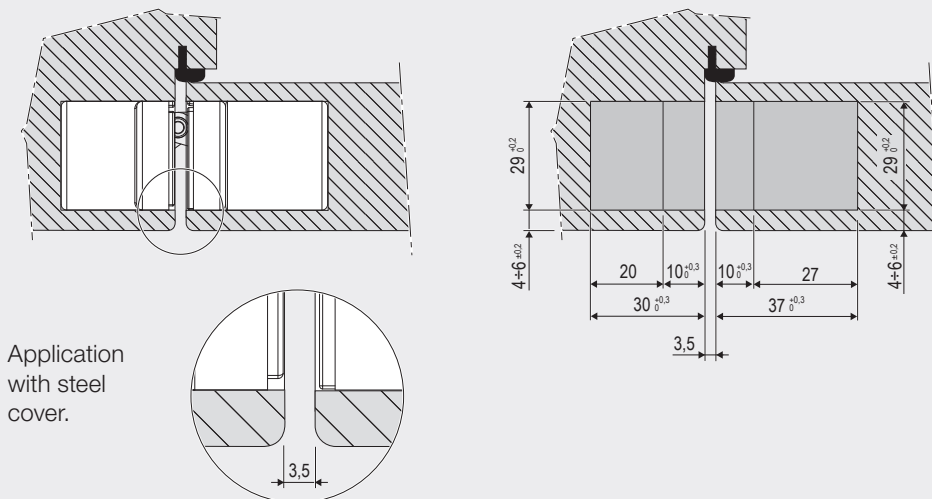


Flush steel covers.

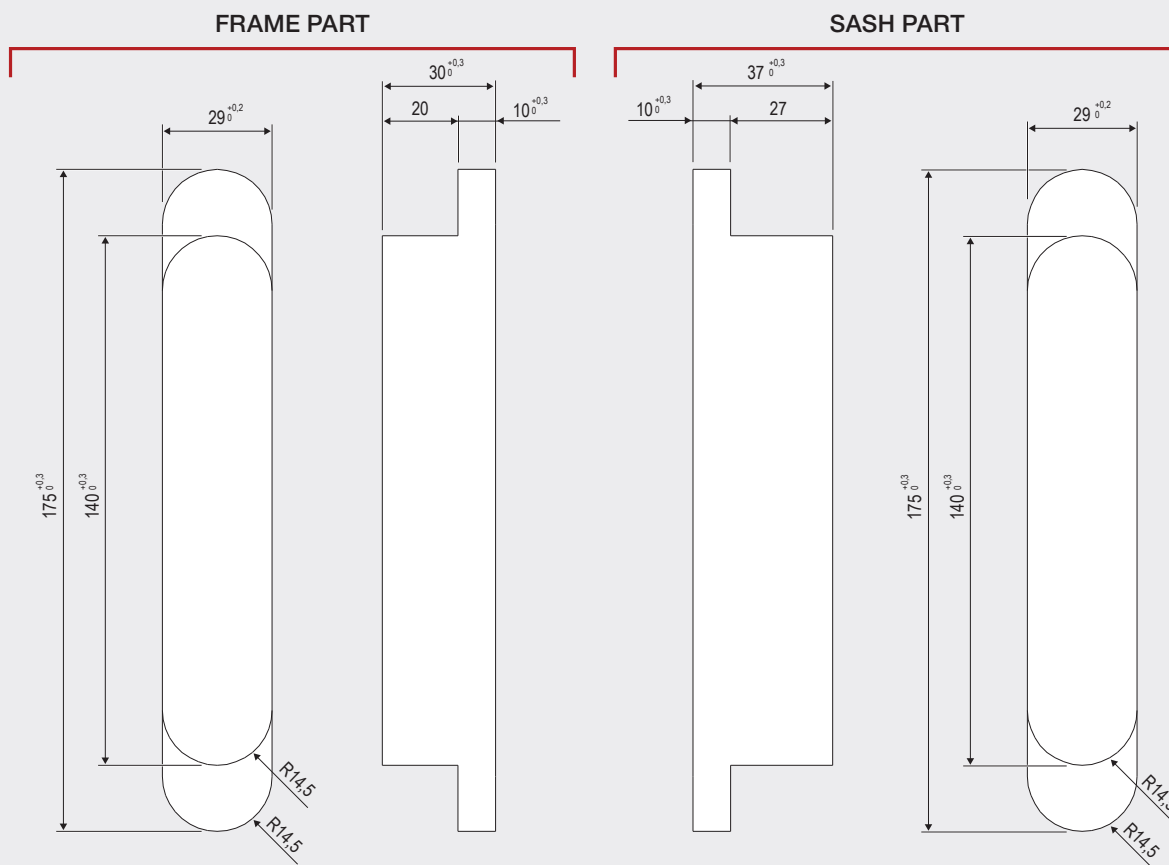
Hinge dimensions



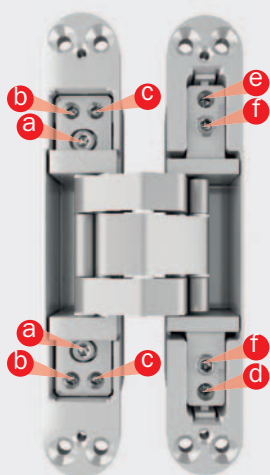
Hinge application



Drilling diagram



Hinge adjustments



Please adjust the hinges one by one with a 4 mm Allen key; reach the desired adjustment on two screws alternatively and with little movements.

- **±1 mm pressure adjustment:**

PRESSURE INCREASE:

loosen **a**; screw **b** and unscrew **c**; fasten **a**.

PRESSURE DECREASED:

loosen **a**; unscrew **b** and screw **c**; fasten **a**.

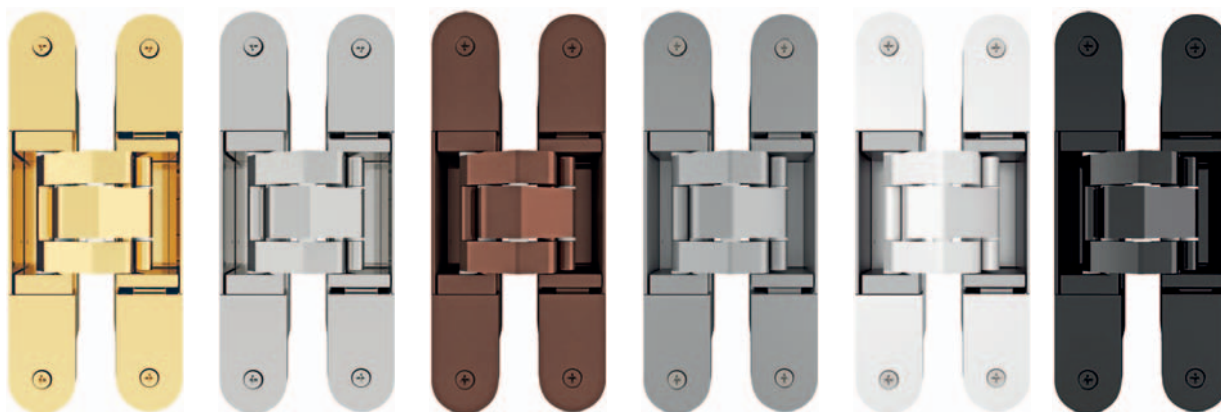
- **±3 mm vertical adjustment:**

loosen **d**; raise (screw) or lower (unscrew) **e**; fasten **d**.

- **±3 mm horizontal adjustment:**

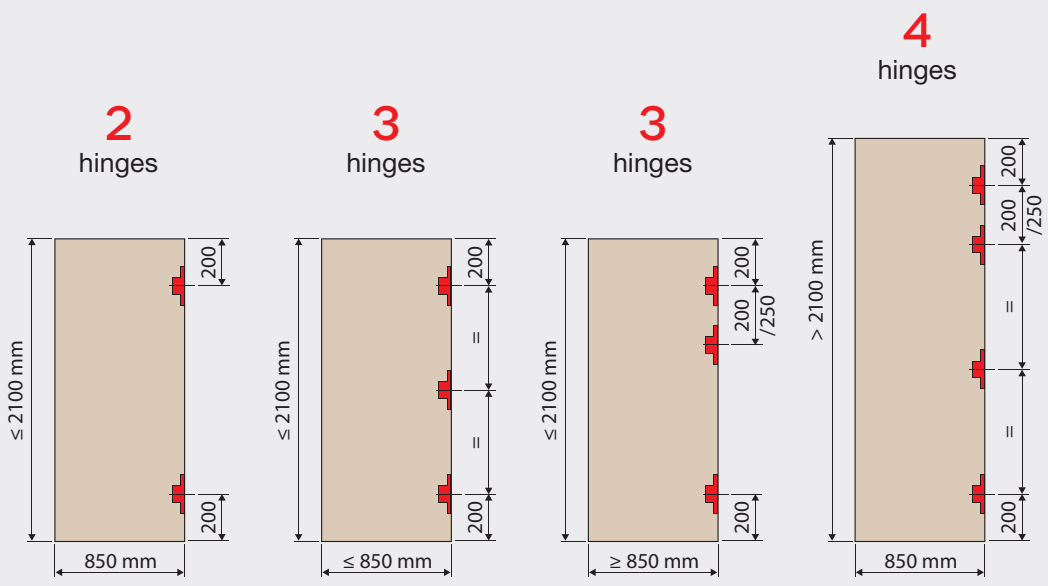
increase (unscrew) or decrease (screw) **i**.

Finishes



03. Brass plated PVD / 06. Nickel plated PVD / 22. Enamelled bronze plated / 34. Matt chromium plated / 91. White / 93. Matt black

Hinges application fields



Note. Two hinges capacity is 100 kg and three hinges capacity is 130 kg, in any case if the door is higher than 1600 mm we suggest you a third hinge in the central position to reduce deformations.

Tests carried out with softwood and fixing of the hinge with screws as per technical data sheet*

Door Height (mm)	Door Width (mm)															
	300	400	500	600	650	700	750	800	850	900	950	1000	1050	1100	1150	1200
600	2															
700	2															
800	2															
900	2															
1000	2															
1100	2															
1200	2															
1300	2															
1400	2															
1500	2															
1600	2															
1700	2															
1800	2															
1900	2															
2000	2															
2100	2															
2200	2															
2300	2															
2400	2															
2500	2															
2600	2															
2700	2															
2800	2															

* The technical sheets are available at www.agb.it.
Doors with specific gravity of 60 kg/m².