



Opera[®]

Panic exit lock
for hotels and
public buildings



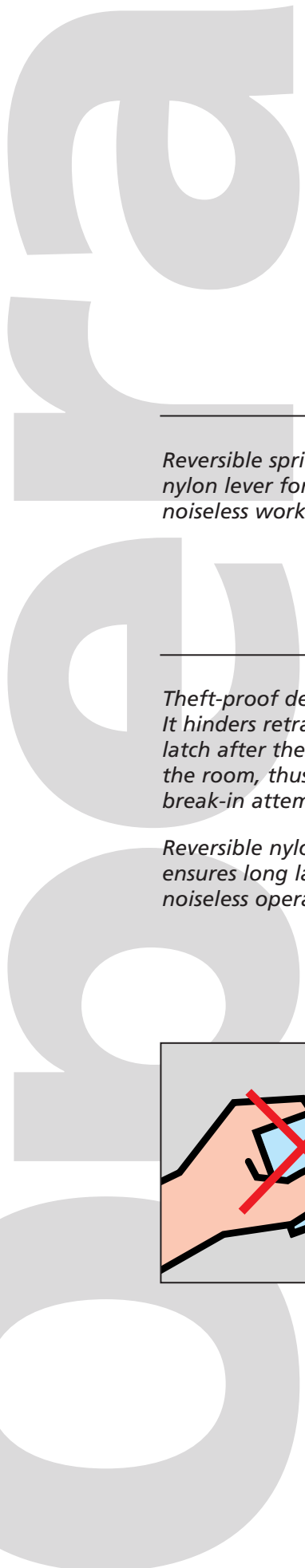
Greater safety improved image

In many countries the construction and upgrading of tourist accommodation and hotel structures are being subjected to increasingly severe fire and safety regulations. Moreover, user's concern about safety standards has grown.

Therefore, hotels and ins as well as residential buildings, apartment houses and any housing structure open to the public are being provided with doors featuring the necessary fire-resistant characteristics and equipped with a **lock enabling instant manual release of the bolt from the inside** to facilitate exit in case of an emergency.

Opera, the patented AGB panic exit lock, is the most versatile and innovative solution - from a technical as well as an aesthetic point of view - to the altered safety demands concerning new as well as existing buildings.

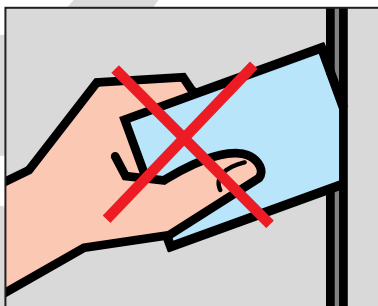




Reversible spring latch with nylon lever for a soft and noiseless working.

Theft-proof device. It hinders retraction of spring latch after the guest has left the room, thus inhibiting any break-in attempts.

Reversible nylon lever, it ensures long lasting and noiseless operation



Easy and secure for guests, practical and intelligent for managers

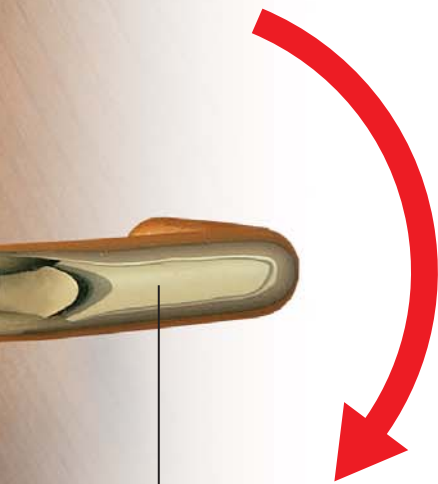
Opera security lock is very easy to use both in its basic version and the many sophisticated adaptations featuring different types of keys and various coded systems.

If guests, manager and service personnel have special keys, certain differentiated criteria can be established to access the rooms and to activate spring latch and bolt, selecting the most appropriate procedures. This characteristic is examined in detail in the following pages.

Instantly opened and closed

From inside the room the guest throws the bolt by rotating the thumbturn. Simultaneously, on the outside, a pin projects from the cylinder to signal room occupation.

To exit, the guest simply lowers the handle, even though the bolt is thrown. This single operation is sufficient to instantly release both bolt and spring latch, ensuring rapid escape from the room in case of an emergency.



From inside the room, bolt and spring latch are instantly released by simply lowering the handle for the immediate opening of the door.



*Opera lock combines with patented **Scudo Opera** security cylinder.*

The occupancy indicator is positioned on the cylinder. This allows the installation of any type of handle, with plate or escutcheon.



Opera[®]

Apply any handle

The **Opera** lock allows you to customise hotel and residential doors using any type of handle.

In fact, the occupancy indicator is not located on the plate as in other locks but directly on the cylinder.

This solution allows a free choice of handle style, material and colour.



A special key for every one

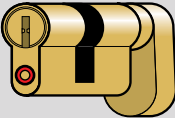
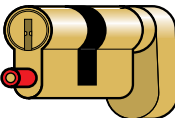
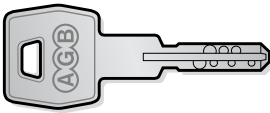
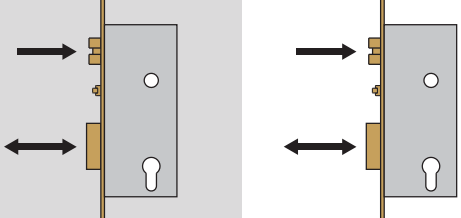
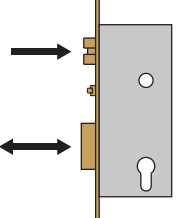
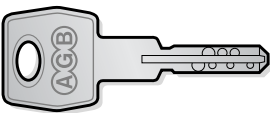
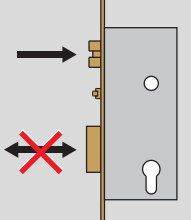
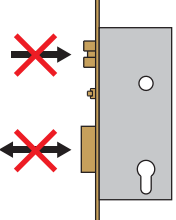
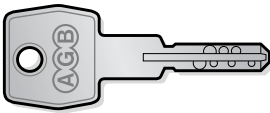
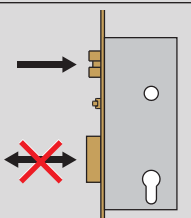
The **Scudo Opera** cylinder, combined with Opera, is supplied with flat security keys. The common issue standard key is capable of executing all the required operations: unlocking of spring latch and locking/unlocking of bolt. However, in most cases special function keys are supplied: they fall into three categories and are distinguished by the different shape of the key-ring hole.



- **"Management"** master key, identified by the **trapezoid** key-ring hole. For spring latch and bolt actuation. The bearer, e.g. the hotel manager, can open the door if the room is either vacant or occupied. He can also throw the bolt whenever he needs to restrict access to the room. It can also be used as a customer key in case of multiple occupancy of room.

- **"Service"** master key, identified by the **oval** key-ring hole. For spring latch actuation only. Usually carried by service personnel, it allows access to the room only if the lock bolt is not thrown.

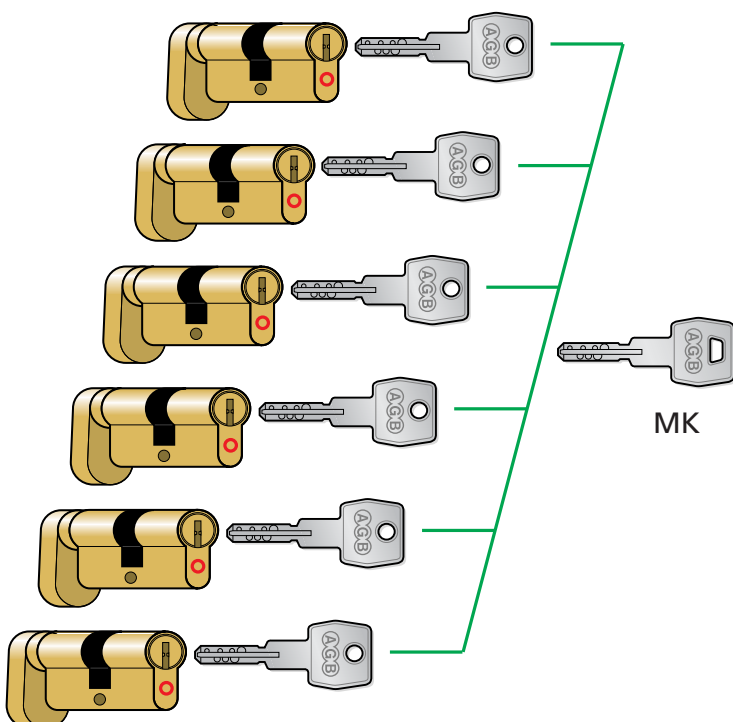
- Single **"customer"** key, identified by the **round** key-ring hole. For spring latch actuation only. The customer only uses it to access his room. In fact, to throw the bolt he rotates the thumbturn, whereas he simply operates the handle to exit.

Key-ring hole	Function	Rotation	 Vacant room	 Occupied room
	Management (basic key)	Complete		
	Services	Limited		
	Customer	Limited		



Coded systems to suit every need

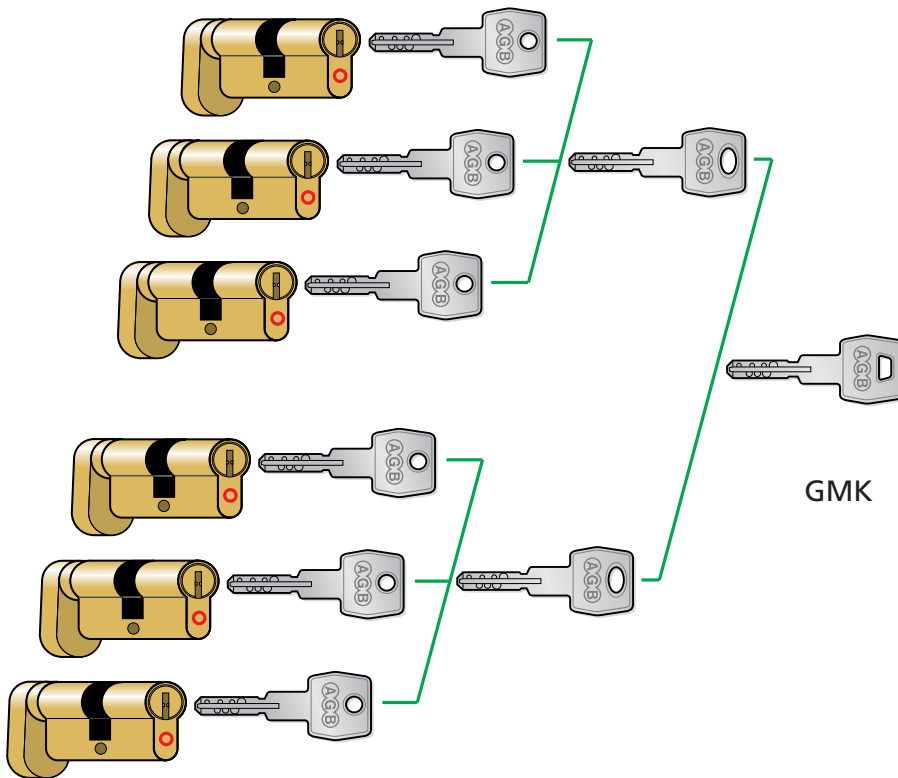
The hotel manager may wish to open all the doors using a single key, and restrict service personnel access to certain areas only, just like the owner of an inn may wish his customers to be able to open the main entrance door as well as their room door using the same key when the reception desk is closed. All this is made possible by the use of a coded system where the different key models described in the previous page can be applied to suit every need.



MK Master Key System

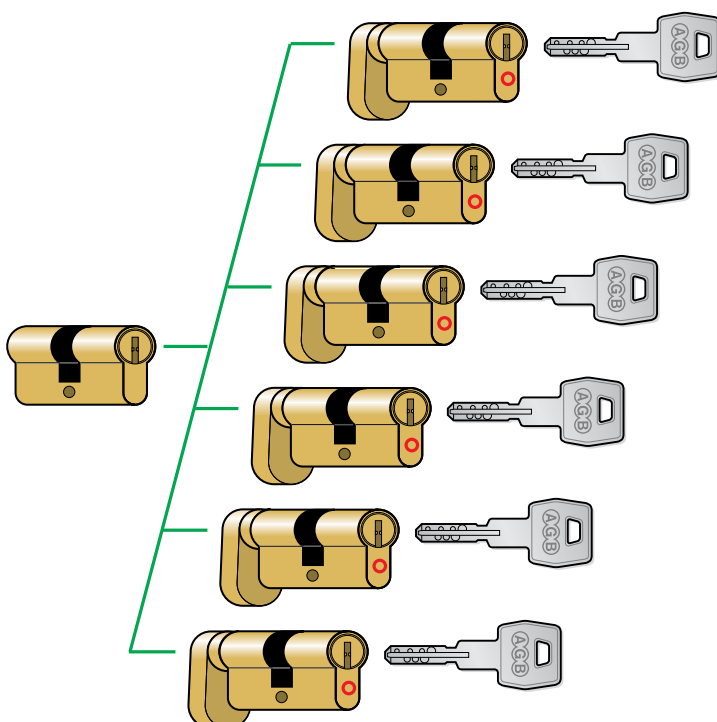
Each cylinder is unlocked by its own key which cannot unlock any other cylinder of the system. All the cylinders can also be unlocked by the MK master key. This system is ideally suited, as an example, for rooms in a small hotel or public building.

GMK General Master Key System



This is a master key system featuring multiple hierarchical levels where the cylinders are separated into several groups. Each cylinder is unlocked by its own key which cannot unlock any other cylinder of the system. Each homogeneous group of cylinders can also be unlocked by the group master key. All the cylinders of the system can be unlocked by the GMK general master key as well.

This system can be utilized, for instance, in large hotels or in medium-large residential and public buildings.



CC Central Cylinder System

Each cylinder is unlocked by its own key which cannot unlock any other cylinder of the system. All the keys of the system can unlock the cylinder of the central lock.

This system can be utilized, for instance, in inns or residential buildings without a reception desk.

The CC system can be combined either with the MK or the GMK systems.

Unlimited handle selection thanks to the occupancy indicator being positioned on the cylinder.



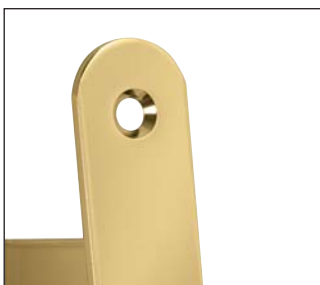
The solid brass thumbturn always returns on the optimum operating position thanks to a new spring-activated device.

The Opera flat key is made of high-resistance nickel silver. The symmetrical code system allows the cylinder to be actuated regardless of the side on which the key is inserted.



The enlarged shank ensures maximum resistance to torsional stress in the warded area.

Finishes



Enamelled brass plated



Matt brass plated



Nickel plated



Matt chromium plated



The data and illustrations provided in this booklet can be considered valid with the exception of any printing errors or modifications introduced by the manufacturer.



Alban Giacomo S.p.A.

Via A. De Gasperi, 75
36060 Romano d'Ezzelino
(Vicenza) Italia
Tel. +39 0424 832 832
www.agb.it - info@agb.it