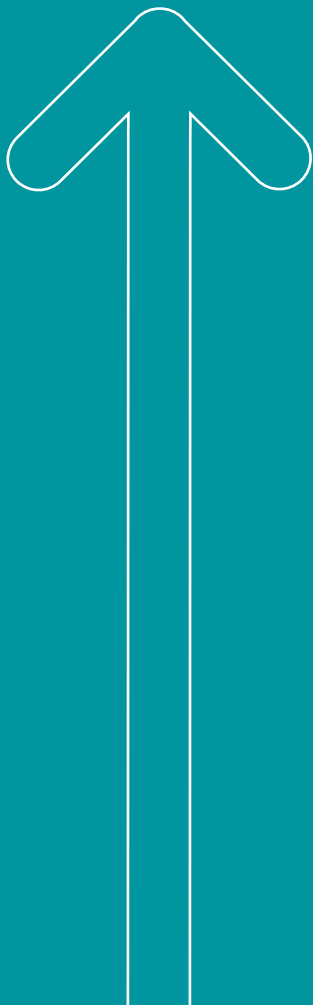
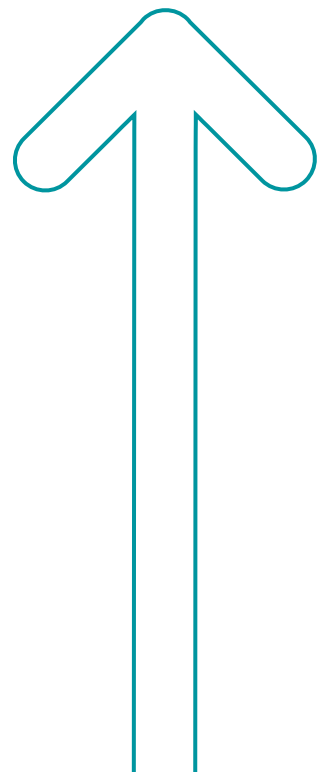


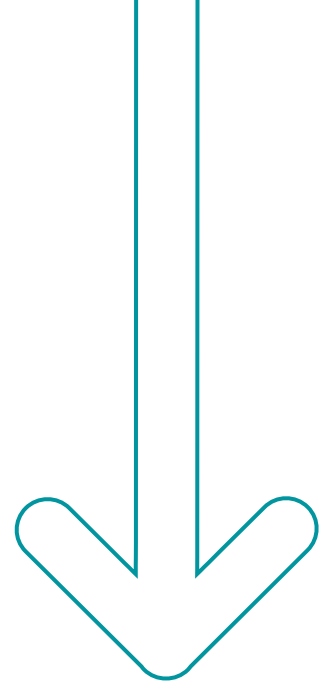
Did you know that
security
could be **your**
golden
opportunity?



Security is
a **need** for
customers
and a sales
opportunity
for you.



Let your customer discover the **opportunities** achieved by the window:



a **barrier** against break-in attempts.

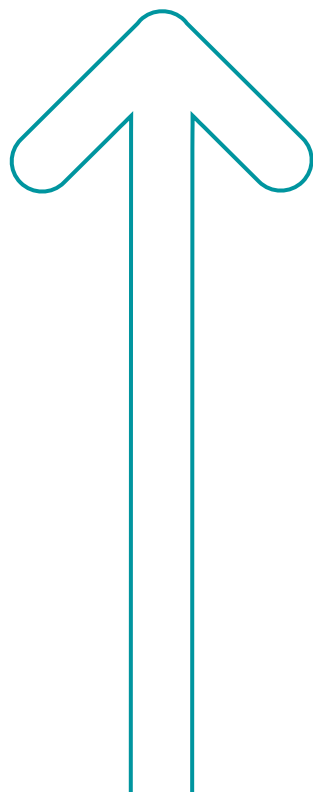


Often an alarm system isn't enough to stop a robber:

it is off when the owner is at home, it could give false alarm and it sounds when the robber is already in.

Security
is your **golden**
opportunity:

it improves the
value of your
window boosting
the **sales.**



Choose

Artech:

it offers



unique solutions

to let you make

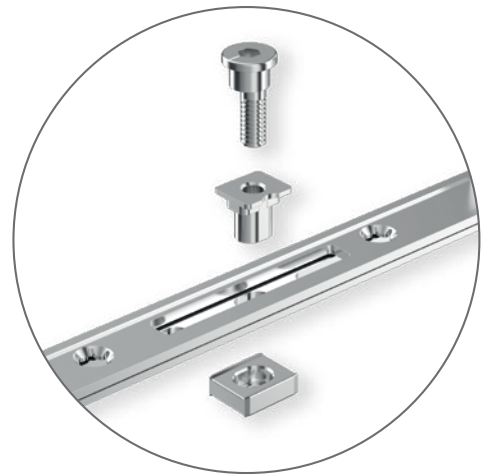
unique windows.



The Artech anti-burglar cam

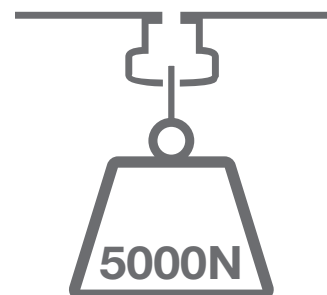
The cam is fastened on a **supporting plate** that is firmly fixed on the hardware.

The plate distributes the lateral load of the cam head in order to facilitate the **fluidity** of the hardware on a **wide smoothness surface**.



Detail of the plate.

The cam keeps the adjustment over the time and, compared to the auto-adjustable cams, it has **better resistance to the break** (more than 5000 N of traction resistance). The monolithic cam is much stronger than the telescopic one during the burglar attack. Thanks to this solution, any play between pin and rotating head is avoided, therefore gaskets are always efficiently compressed.

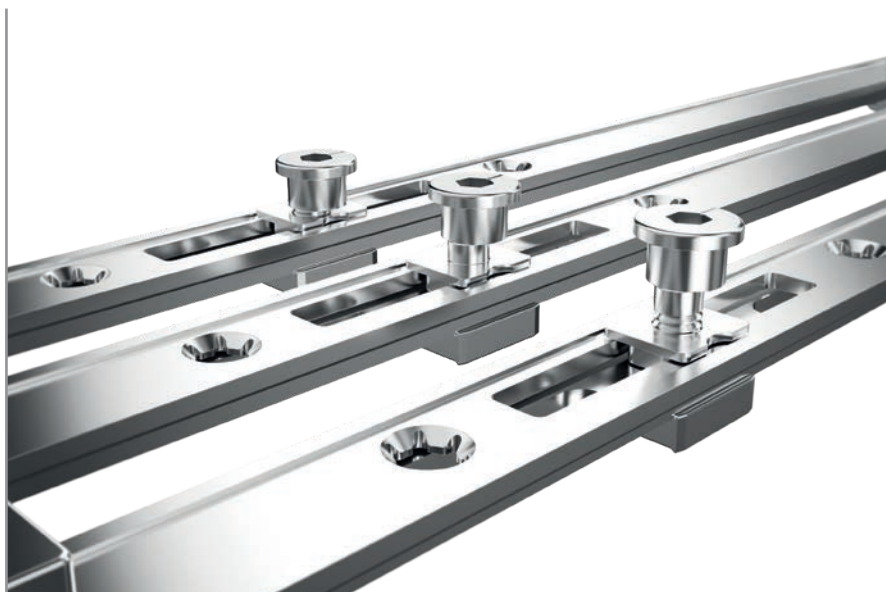
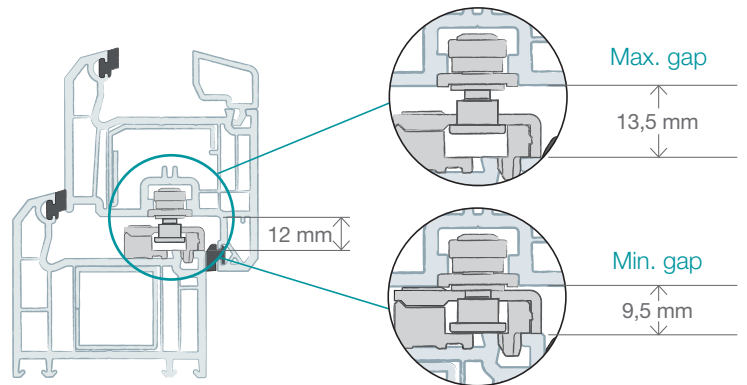


The adjustments: always secure

The locking point keeps **the same anti-burglar performances in each adjustment position.**

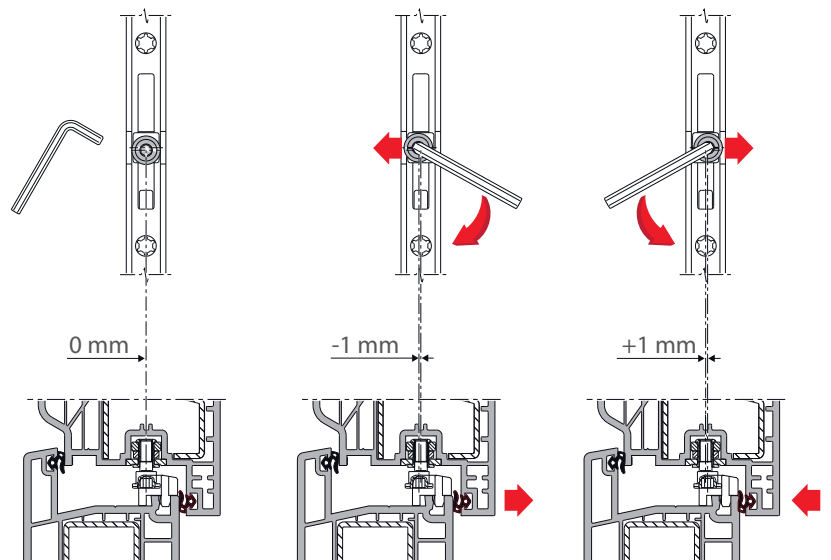
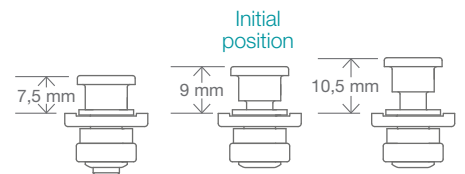
Tolerances of coupling:

The tolerance between cam and striker allows a dimensional range between sash and frame between a minimum of 9,5 mm and a maximum of 13,5 mm using steel open strikers, **without adjusting the cam.**



Vertical adjustment:

Cams have **vertical adjustment** to solve sash settling. By adjusting the cam, the range of minimum and maximum gap is **9,5/15 mm.**



Pressure adjustment:

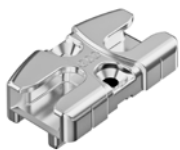
The screwed cam makes the pressure adjustment ± 1 mm much stable and precise.

More security levels, more value to your window

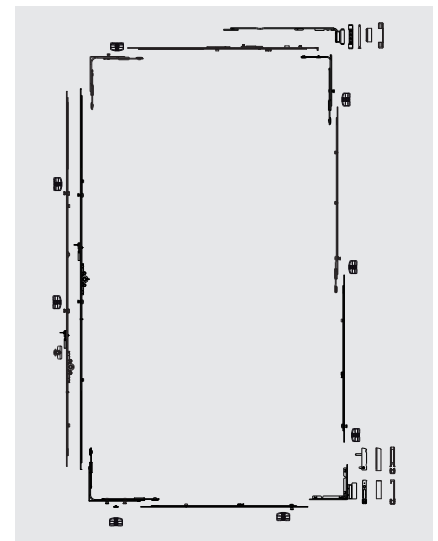
With Artech, the RC1N class is a default security, thanks to the anti-burglar strikers as a standard. But our suggestion is to choose the Armoured Class Poseidon TT for windows on the ground floor and the Certified Class (RC2) for first and last floors.



RC1N Security



Starting with a basic security level, the strikers grant a RC1N resistance class. The strikers can be fixed with just one screw or improving the anti-burglar resistance with a second screw. Design is well-detailed and special covers can conceal the fixing screws.



ACHIEVED TESTS

STATIC LOAD



300 kg

DYNAMIC LOAD



450 cm x 8 impacts
variable according to
the sash dimension

MANUAL BREAK-IN



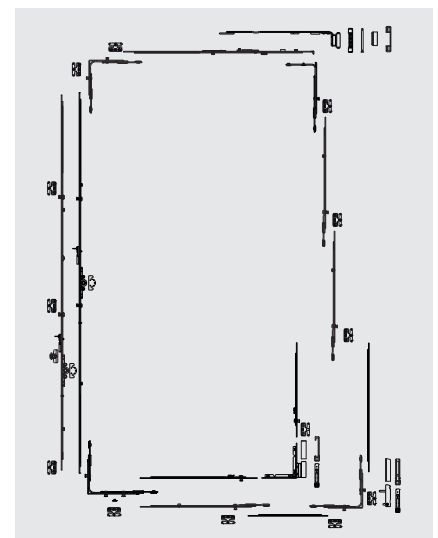
not provided
by the law

RC2 Security



Improving the level, you can reach the RC2 class where the strikers in special steel allow to overpass difficult tests of:

- push with 3000 N (Newton) of hydraulic ram;
- impact with 50 kg weight falling from a height of 450 mm;
- break-in with tools expected by the regulation.



ACHIEVED TESTS

STATIC LOAD



300 kg

DYNAMIC LOAD



450 cm x 8 impacts
variable according to
the sash dimension

MANUAL BREAK-IN

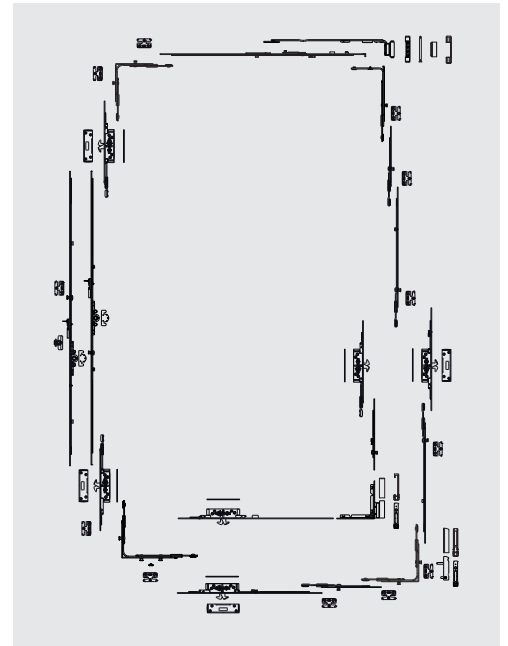


more than 3 minutes of
resistance against break-in
attempts required by the law

Armoured class Poseidon TT

The two facing hooks of the security lock Poseidon TT go to be inserted in a tempered steel striker.

A dedicated plate blocks Poseidon TT from the glass area through the sash thickness. Unhinge the door becomes an impossible mission. The two facing hooks transform the window in an armoured barrier and help giving the security perception to end users.



Why is it so resistant?

1

Fastening

Poseidon TT is fixed from the internal side of the glass milling using a plate. In case of burglary, **it overpasses the rip holding limit of screws.**



2

It's impossible to unhinge the sash

Two facing hooks avoid the robber to unhinge the sash both by lifting and ripping the sash.



Artech means security as a standard

Security has always been at the heart of Artech project. It is a secure system, where each component has been designed to block break-in attempts. Artech means security because it offers accessories that are able to transform the window, making it safer.



Extensible bolt with front lever

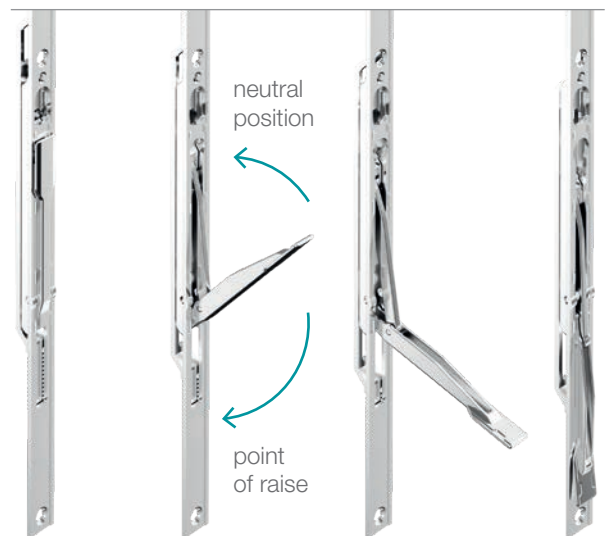


A

Anti-burglar pre-welded strikers on the extensible bolt make it suitable against break-in attempts.

B

Device for sash position.



The extensible bolt with front lever guarantees the anti-burglar function of double sashed window. The lever can't be opened pulling it from the outside: the closed sash avoids the lever movement.

The front movement allows to exercise more force to move many points of closing on the second sash. The lever has a movement of 180°: this means the first sash can be closed even with the lever opened on the second sash, avoiding damages on the lever itself.

To ensure the anti-burglar security on the higher corner drive, there is a device that advises about the lever rod status.

The 180° opening movement of the lever make it suitable for windows with three sashes.



Central locks: improve your window

The need of different kinds of locking systems is much more required.

According to the height, standard windows require a good positioning of locking points to prevent wood bending and ensure good compression of the gaskets. On anti-burglar windows, the locking points must be placed within certain interaxis and be as close as possible to top and bottom hinges.

For this reason, components like central locks, terminal elements and extensions, have different dimensions, trimmable or not, are easy to assemble, allow customer to avoid trimming the components (except for windows dimensions that require trimming of some elements to reach bottom corner for RC2).

It's possible to choose the following solutions:

Extension

200 mm*
200 mm
320 mm**
400 mm
600 mm
800 mm



Uncuttable terminal element

200 mm
400 mm
600 mm
800 mm



Cuttable terminal element

400 mm
600 mm



* without cam
** cuttable and without cam

Artech means design

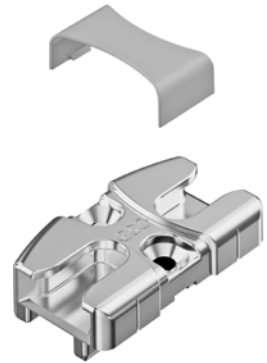


Artech is the solution for the contemporary architecture: wide glazing openings, minimalist lines, well-detailed components. **Artech highlights the beauty of the window and make it a new design element for architects.**

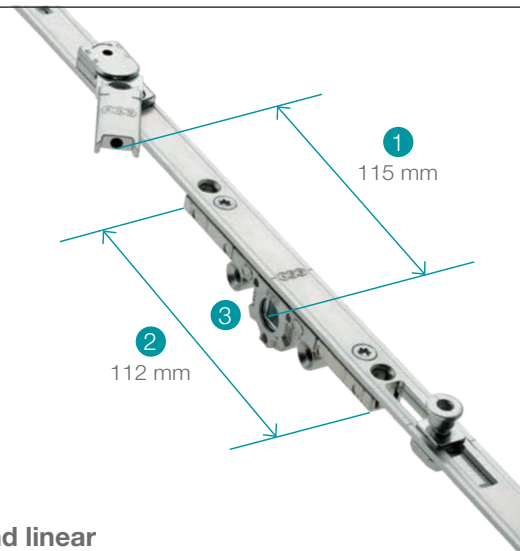
Strikers with concealed screws



Covers hide the screw head and change the concept of the window design, with the guarantee of anti-burglar security that is the heart of the Artech project. A system of hardware that **allows to reach the certification in class RC1N** with standard components. So, **more design and more security.**



Artech espagnolette: minimal design, smart solutions.



Linear faceplate

When the sash is open, the **elegant and linear design** of the espagnolette can be appreciated. The gearbox disappears behind the forend, thanks to the fastening system with screws.

- 1 The DSS device, which is located near the pushing point of the hand, allows to lift up the sash easily.
- 2 The lengthened gearbox side allows to distribute the loading caused by the screw fastening of the handle on the edges of groove, ensuring a smooth movement of hardware.
- 3 Interchangeable box thanks to the screw fastening.

Available backsets: 15/25/30/35/40/45/50 mm

Artech Plana: concealed system for tilt&turn windows



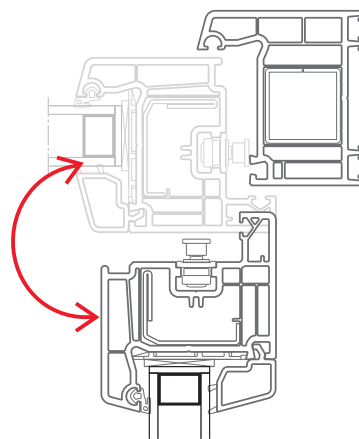
Concealed hinge Plana

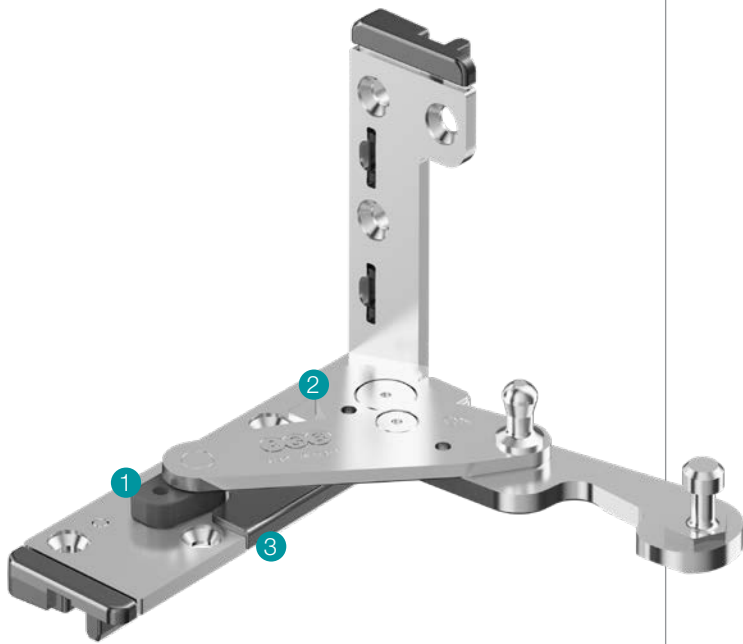
130 kg capacity allow to produce balcony-doors with wide glasses, high insulation and security.

Plana is the perfect solution for windows with high thermal insulation and anti-burglar resistance.

Reduced translation of sash

The mechanism of Plana during the opening combines a rotation with a translation, reducing the amount of space needed for the opening movement.





130 KG CAPACITY

130 kg capacity for windows and balcony-doors allow to realise high dimension sashes. The hinge has no positioning pin and it doesn't need additional accessories to increase the capacity; for fastening, it is possible to use standard screws, not specific screws with long neck.

SMOOTH MOVEMENT

- 1 All the sliding parts are covered to prevent the dirt to get in.
- 2 On the top lever, there are holes for lubrication.

USE OF TECHNOPOLYMERS

- 3 Artech Plana uses new generation technopolymer components, which facilitate the blade sliding. This choice prevents corrosion problems that could be caused by components in stainless steel.

AUTO-JIG FUNCTION

Hooked to the hinge there are the adapters which are specific for PVC. They allow a precise positioning for installation.

Adjustments



Lower hinge

It allows lateral and vertical adjustments of the sash. The lower ring avoids the pin extraction.



Stay arm, frame part

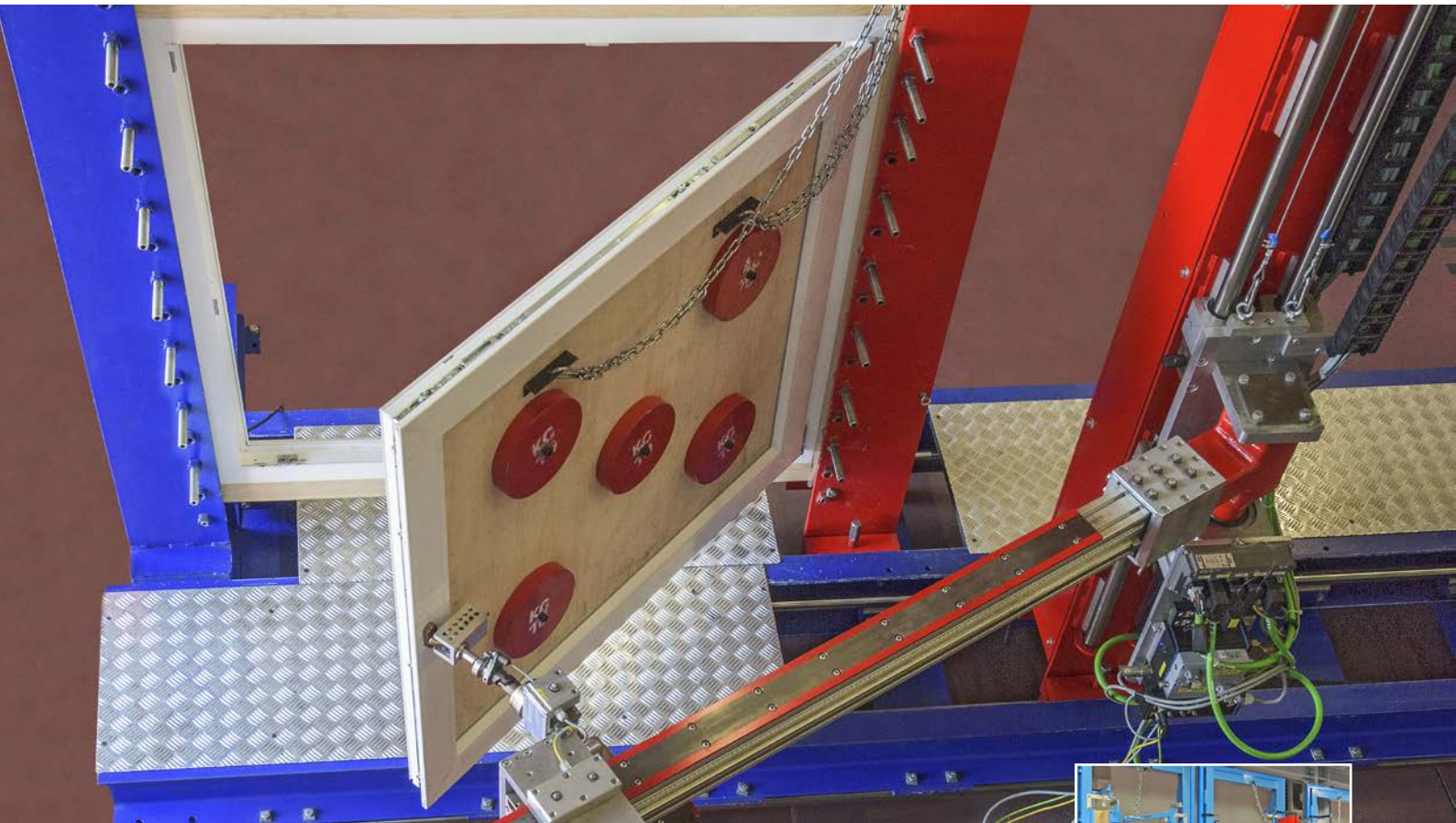
It allows the lateral adjustment of the sash from -4 mm to +2 mm. Only two GRs can be coupled to four GRs of stay arm.



Stay arm

Non-handed and universal for simple sashes or TBT. Thanks to the adjustable guide, it is possible to choose between two tilt openings: 140 mm or 80 mm.

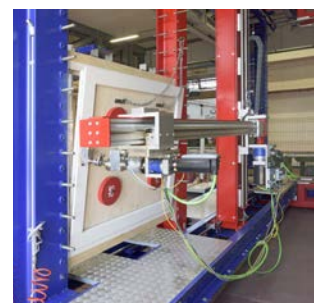
Loading capacity and reliability



The Research & Development laboratory *AGBLab*

The Research & Development laboratory *AGBLab* allows to test new products in order to guarantee the highest performances and its compliance with the standard by the regulation. When the product has been launched in the market, *AGBLab* follows the performances. The production process ensures the constancy of the hardware characteristics.

Continuous innovations for product development and investments in production technologies allow the company to be placed in first positions for quality standards offered. To guarantee maximum security and protection levels, AGB has got dedicated machines to test hardware on windows and doors directly. The laboratory has simulators with UV rays and chambers to test the hardware against corrosion in salt spray. In the laboratory, we perform cyclic tests to guarantee the security of product use even in mechanic stress conditions and intense use.



Certified capacity up to 130 kg

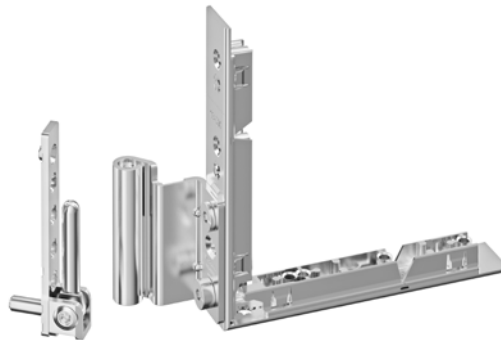


Artech hinges: 100 kg



Artech 100 kg: the ideal solution to optimise the components in stock without renouncing to the performances.

Artech hinges: 130 kg



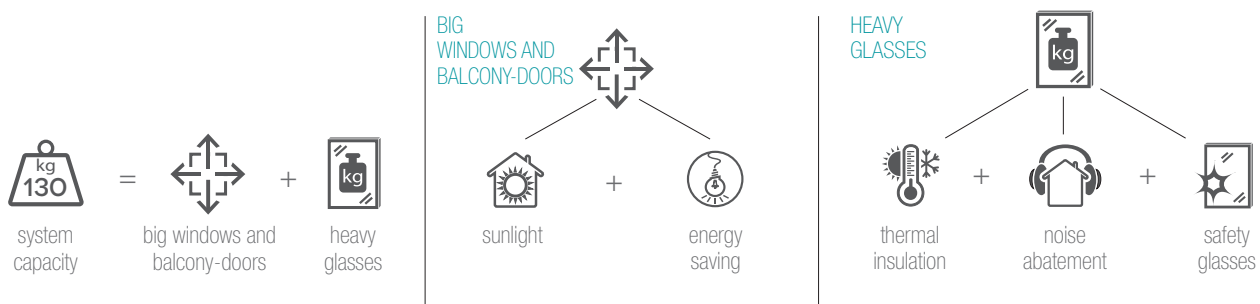
Artech 130 kg: corner hinge able to overpass the strict cyclic tests of duration without problems. Coupled to the supports with pins of 6 mm diameter, it ensures 130 kg capacity as a standard.

Concealed hinges Artech Plana: 130 kg



Artech Plana 130 kg: concealed hinge for advanced windows with high performances of thermal insulation and anti-burglar resistance. It reaches 130 kg capacity without additional components and using standard screws.

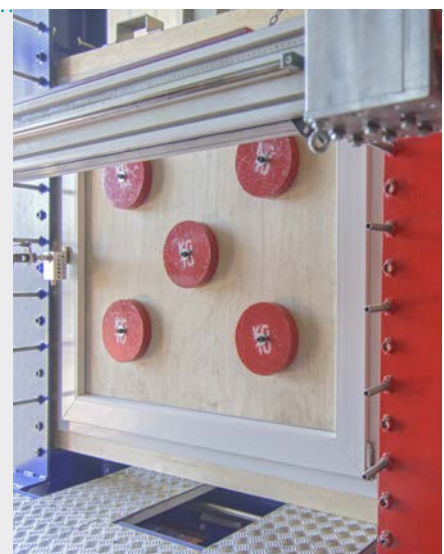
Does a system of hardware with 130 kg capacity improve the residential comfort?



DID YOU KNOW THAT

the capacity of hardware has been ensured by certifications according to the regulation EN 13126/8 tested at an European level (IFT of Rosenheim)? The certification can be reached after passing 15,000 cycles of tilt opening, 10,000 cycles of simple sash opening. At the end of cycles, the window undergo to a 100 kg accidental load applied for 5 minutes on the sash edge, handle side, 90° opening. After that, the window has to overpass accidental impact tests simulating three impacts against the edge of the wall,

as the window can be installed in the middle. Finally, the window has to pass other three accidental impacts against an obstacle between sash and frame. This happens with a window of dimensions defined by the regulation and 130 kg weight declared. Certifications and tests can be checked at the website of the IFT institute: http://zertifikate.ift-rosenheim.de/links_zertifizierte.php?id=207632590&view=standard



Activeage: active hi-protection finish

Activeage

High corrosion resistance even in difficult weather conditions.

More than
2000
hours in salt spray test*

* according to the regulation EN ISO 9227 without any notch of the surface from red rust.

Above the law

Activeage reaches extraordinary anti-corrosion standards, much higher than the regulation requirements of the EN 13126-1 and outclasses the measurement scale of corrosion resistance indicated in the EN 1670.



EN 13126-1: requirement and test methods for accessories for windows and doors.

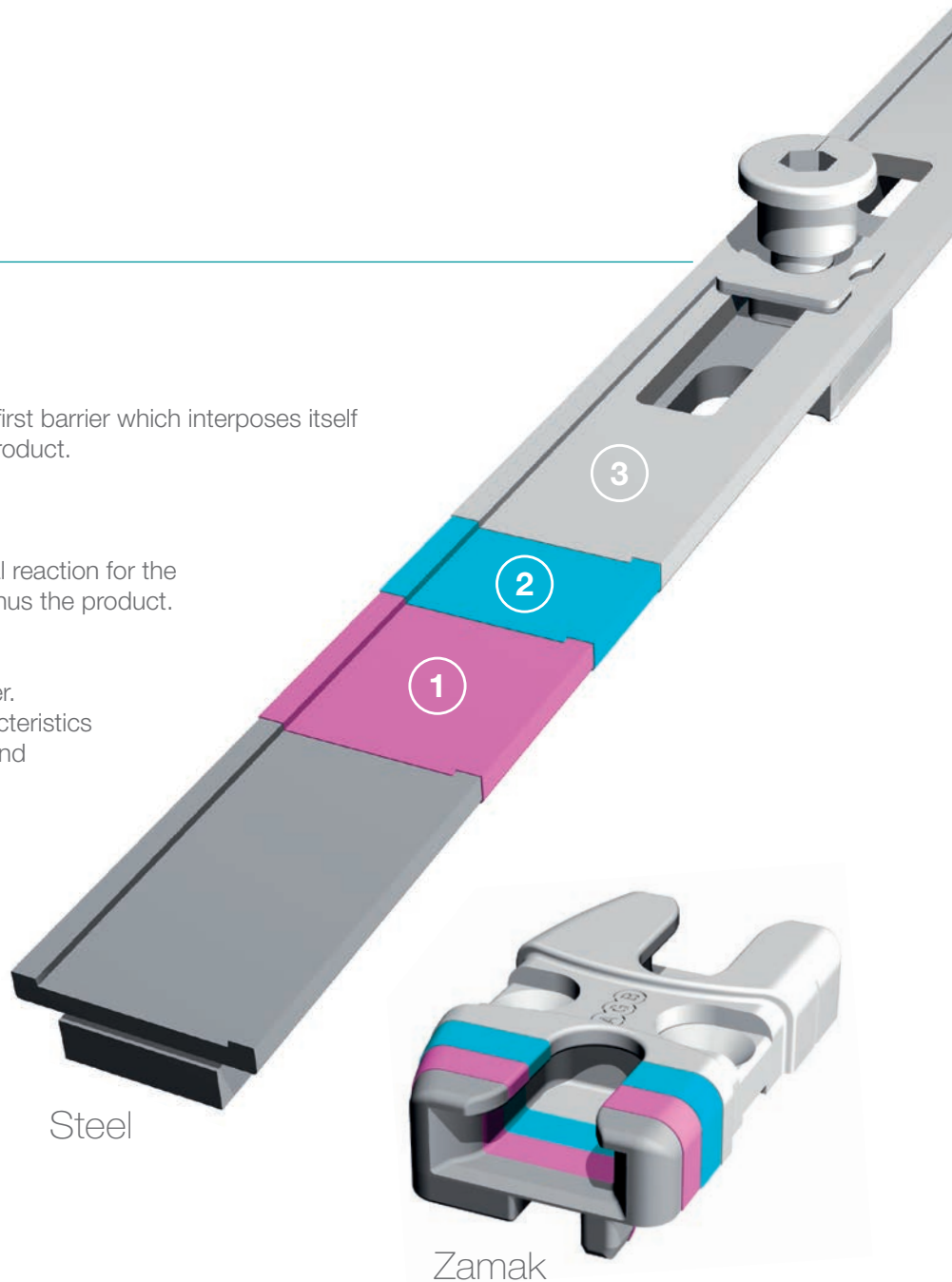
EN 1670: resistance against corrosion of accessories for windows and doors.



Performances of Activeage finish are guaranteed only if screws with same or higher corrosion resistance are used, except for stainless steel screws.

Three-layer cover

- 1 Zinc**
Protects the metal by creating a first barrier which interposes itself between corrosion agents and product.
- 2 Chromic passivation with nano particles of silica**
Actively acts with electrochemical reaction for the protection of the Zinc layer and thus the product.
- 3 Active hermetic protection**
Organic-mineral chromating cover. Maintain the anti-corrosive characteristics even in case of thermal shocks and dynamic stress.



RESEARCH

In association with research studies and technology developed with partner producers of paint was born **Activeage**.



PERFORMANCES

The research for materials protection done in accredited institutes prove excellent results of resistance against salt spray, humidity and ageing.



TOP PRODUCT MASS-PRODUCED

Activeage is the standard finish for all windows components, entrance doors and sliding systems in Silver finish.



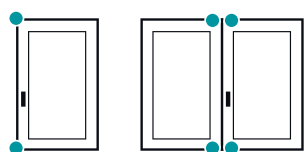
If you
choose **Artech**,
you also choose
**a complete
range of solutions.**



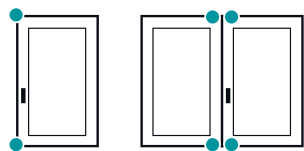
Modularity and versatility: few components to do everything

Standard window

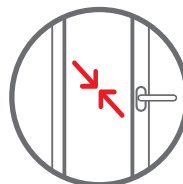
The corner drives allow to use universal non-handed anti-burglar cam and tilt strikers, improving logistic optimisation and the design of the window.



Anti-burglar window



The advantages compared to the solution with push rod



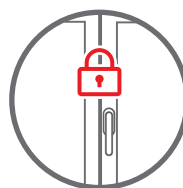
Great ray

Thanks to a wider ray, the cam helps the sash closing even if it isn't strictly close to the frame.



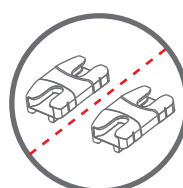
More security for wind tightness

If the window bends for the wind pressure, the mushroom cam doesn't slide outside the striker as a push rod could do.



More anti-burglar security

Thanks to mushroom cams and undercut strikers as a standard.

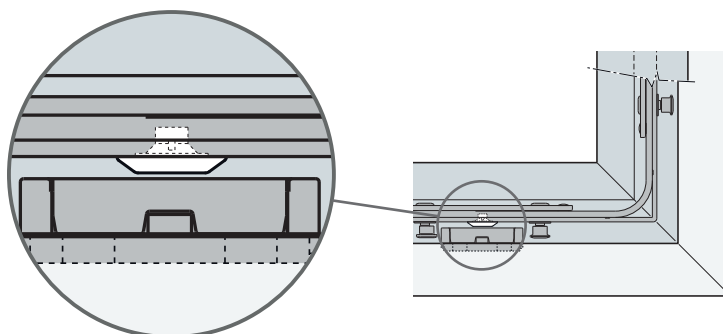


Better symmetry

The same corner movement on both sashes allows to use the same striker for the two sashes window design is improved.

Lifting wedge

For the great functioning of windows and doors, Artech provides the lifting wedges to be installed in correspondence of screw hole of the lower corner drive in order to unload the sash weight on strikers: we suggest the use on active sash to support the tilt position and on the passive sash it is helpful as a support when you load the weight of the active sash by the use of the DSS device. It can work from gap 10,5 to 11,5 mm.



Espagnolettes for balcony-doors

ARTECH CREATED NEW SOLUTIONS FOR BALCONY-DOORS

Stop to architectural barriers

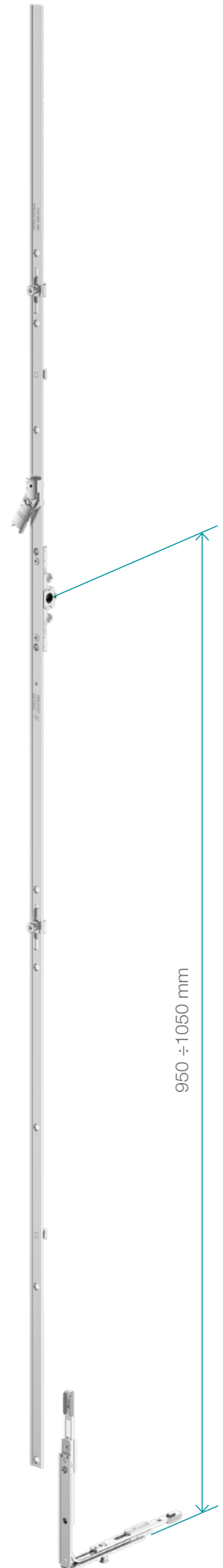
Espagnolettes for balcony-doors can be cut even in the lower part. This allows to lower the handle height up to **950 mm** in order to comply with the regulations for the demolition of architectural barriers all over the world.

Espagnolette GR7 bis

The espagnolette GR7 bis allows to produce windows and doors with **1050 mm** handle from a SRH of **1634 mm**.

Espagnolette GR10

GR10 includes a range of SRH heights up to **2500 mm**; it allows to lower the handle to **950 mm** reaching a SRH of **2400 mm** without using any extension.

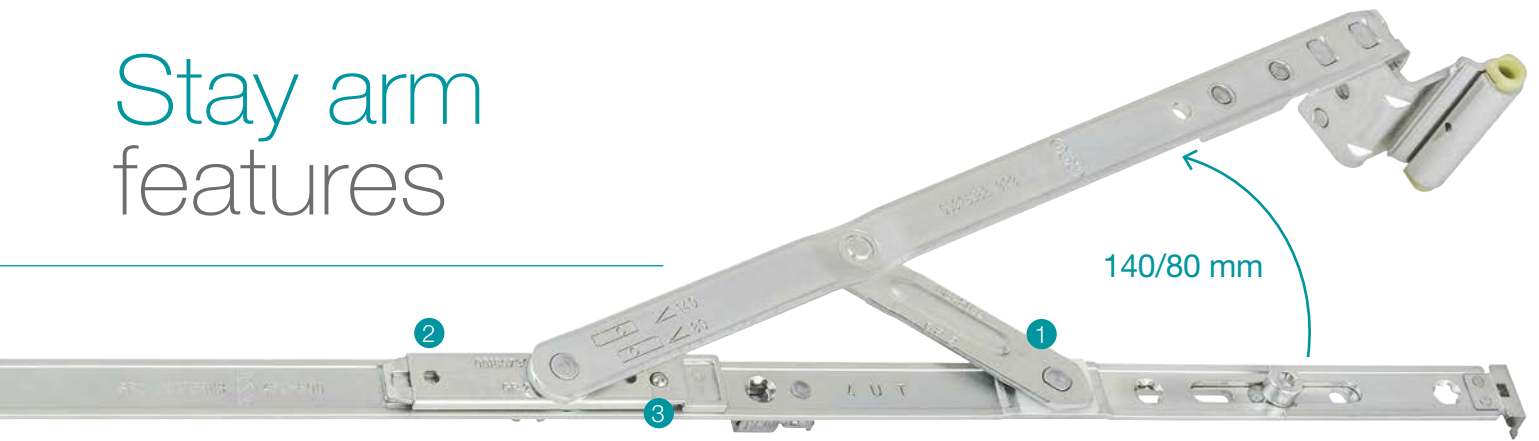


Magnetic sash catcher striker

The production of windows and doors with more than two gaskets means that the sash has holding difficulties during the temporary closing of doors.

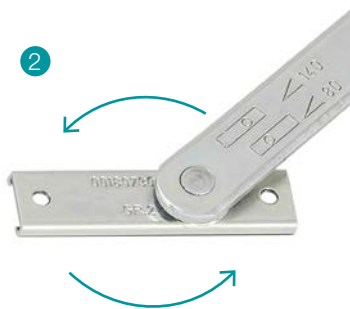
The magnetic swing solution allows to reduce the push of gaskets and hold efficiently the door thanks to new generation magnet power. The solution is available for all the windows and doors, both for single and double sashes. This solution can be used even for second sash closing instead of bolts when there is a shutter or a balcony that has to be often closed or opened.

Stay arm features



ANTI-MISHANDLING DEVICE AS A STANDARD

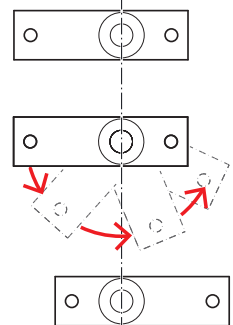
- 1 The anti-mishandling device on the stay arm prevents to rotate the handle and opens the sash from the outside.



TURNING DEVICE

- 2 With the turning device of Artech stay arms, it is possible to choose the dimensions of tilt opening: 140 mm standard opening, 80 mm for a reduced opening to:
 - simplify the locking process of high windows with low handle (renovation),
 - guarantee a great functioning of tilt opening for low windows avoiding the spring effect.

140 mm standard opening

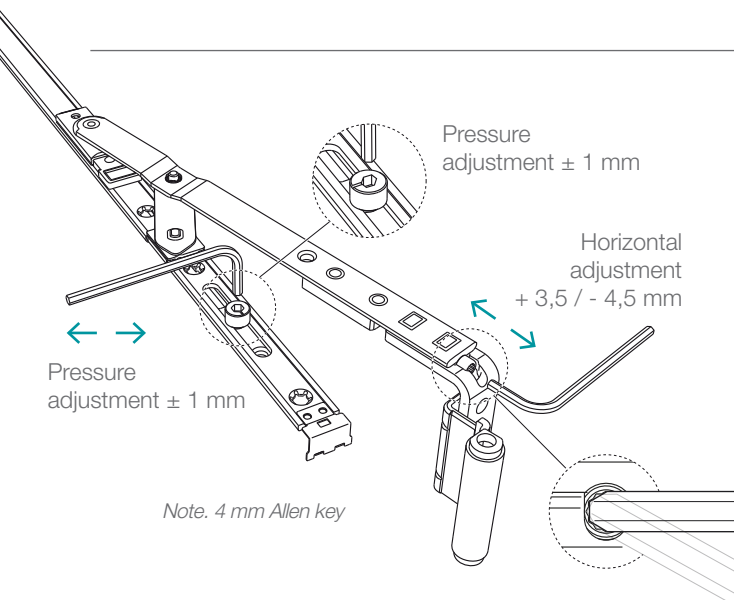


reduced opening of 80 mm



SPHERE FOR TILT POSITION BLOCK

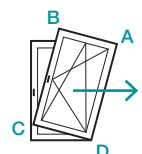
- 3 The locking sphere in tilt position restricts efficiently the self closing of the door caused by air.



Horizontal stay arm adjustment

Pull (in clockwise)

- A) Movement of upper part of sash.
- B) Lifting and movement of upper corner.
- C) Lifting and movement of the lower edge.
- D) Pintle.

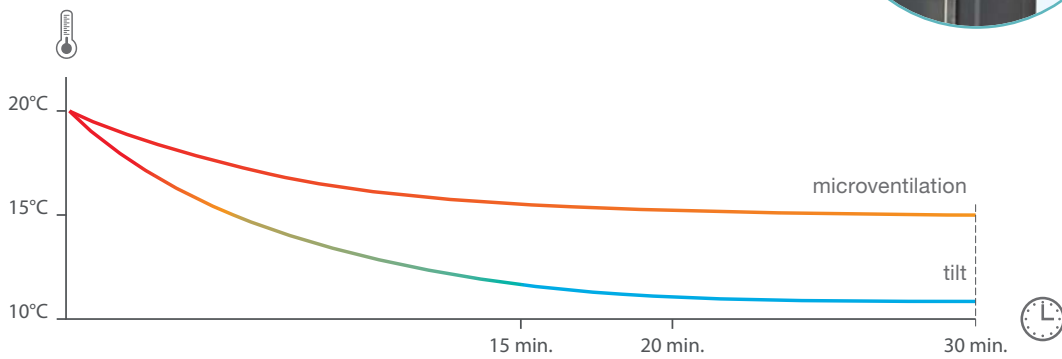


Mark with double hexagon to facilitate the insertion of the key for adjustment.

Microventilation

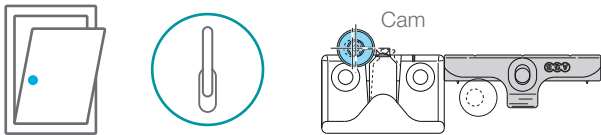
The air circle that doesn't cool the room!

Thanks to the 7 mm tilt opening, the microventilation allows to air the room continuously but in a limited manner, in order to avoid the excessive cooling. Airing the room for 30 minutes with microventilation avoids the reduction of temperature and condensation on walls. In this way, you will prevent one of the causes of mould appearance.

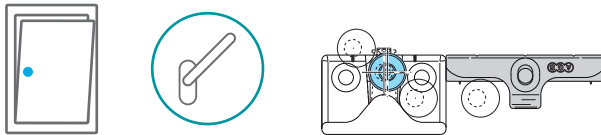


Positioning and striker application

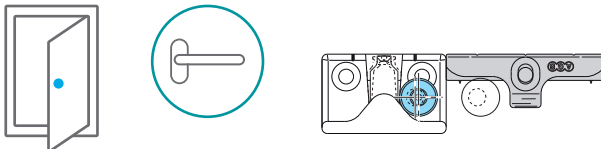
Tilt



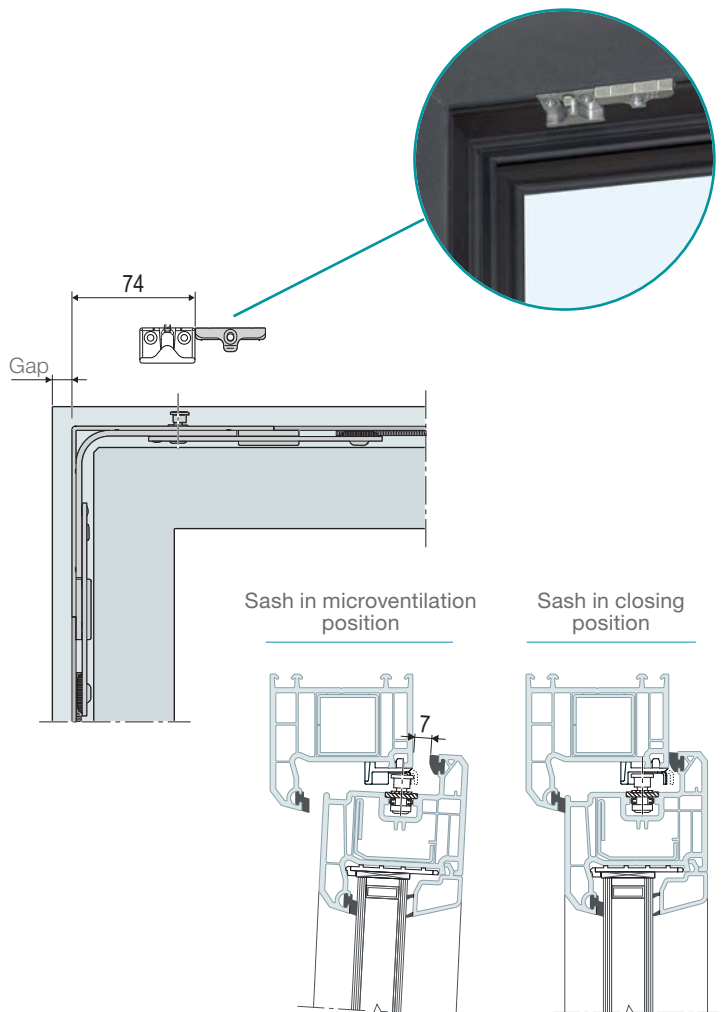
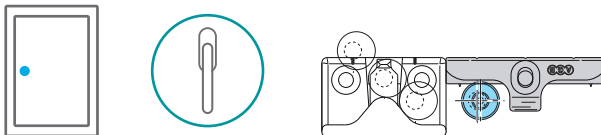
Microventilation



Open



Closed



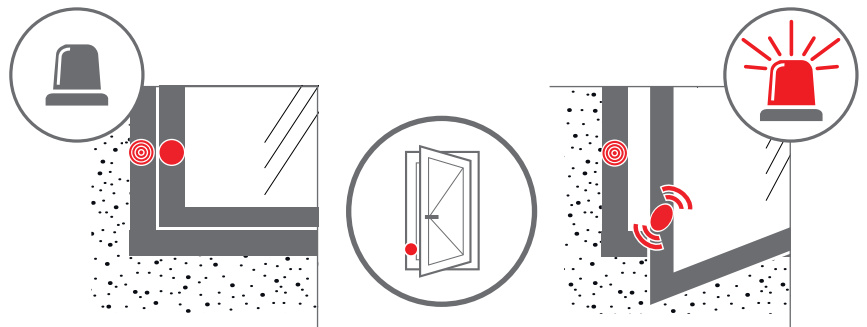
One system, two advantages: alarm and energy saving

Magnetic contacts for controlling systems and alarm

Magnétique is the solution for controlling windows and balcony-doors by magnetic contacts.

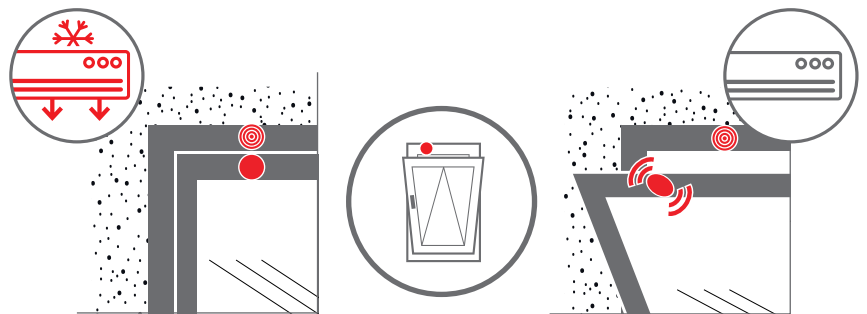
AN INFALLIBLE GUARD

In case of burglary, the Artech magnetic contacts communicate with alarm system to signal the threat giving an impulse. The system starts working even in case of alterations, thanks to the tamper.

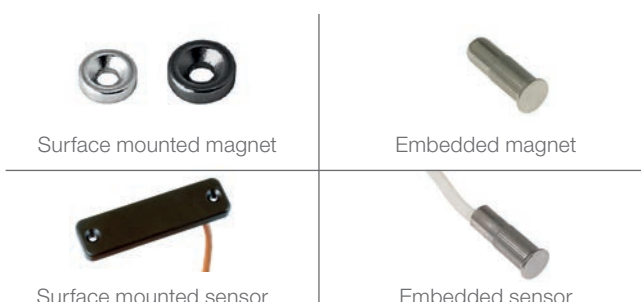


HEALTHY ROOMS WITHOUT WASTING ENERGY

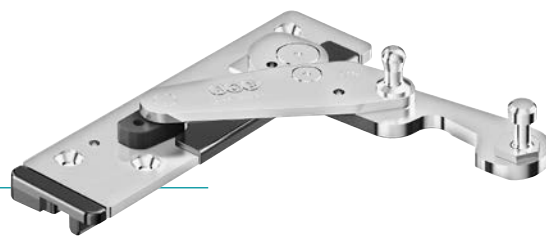
Magnetic strikers have a main role for air-conditioning: the system is directly connected to the conditioning turning it off while opening the window.



Magnétique components

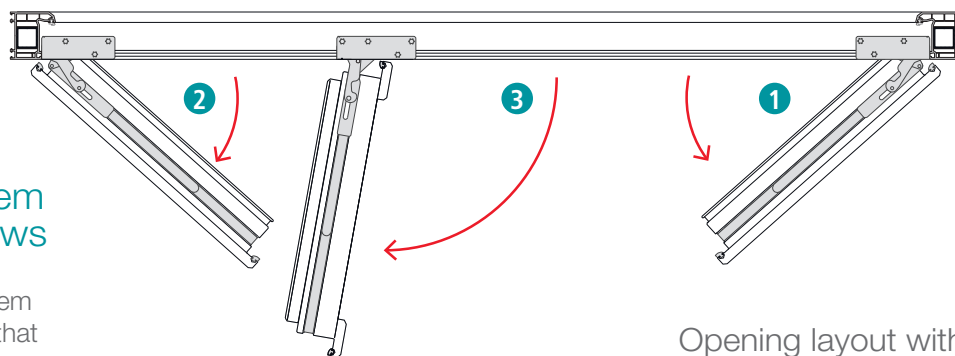
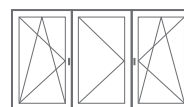


Artech Plana for third sash



Brilliant ideas for renovations

Thanks to the Artech Plana hinge for three sashes, it is possible to realise windows with concealed hardware, perfect for renovations.



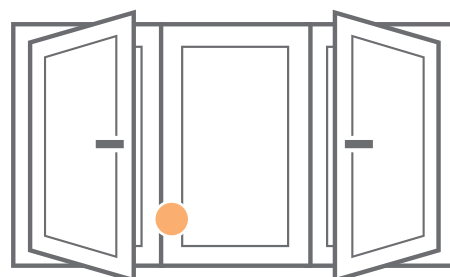
The “no problem” system for three sashes windows

AGB realised a three sashes system with a forced opening sequence that allows to prevent errors during the opening and consequent damages of the window.

Opening layout with three sashes

Simplified opening system:

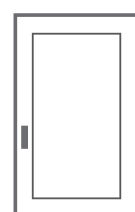
- In the central sash, the opening device can be activated only when lateral sashes are open.



Artech TBT: safety for schools, communities and public places



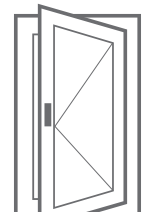
The **Tilt Before Turn** device (TBT) ensures the maximum safety while using windows installed in dangerous positions. The handle in horizontal position allows tilt opening and room airing, avoiding the risk of accidental falls. The use of a dedicated handle allows to unblock the turn opening only using the key.



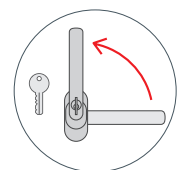
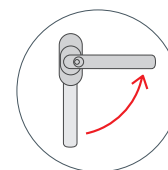
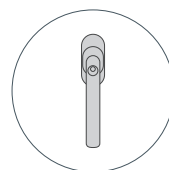
Closing position



Tilt opening



Turn opening*



* Opening is possible only using the key.

Artech TBT ensures great safety in public places and high floors in general, where there is the need to protect windows from accidental falls. It is suitable for windows installed in dangerous positions.



Apartment buildings



Schools



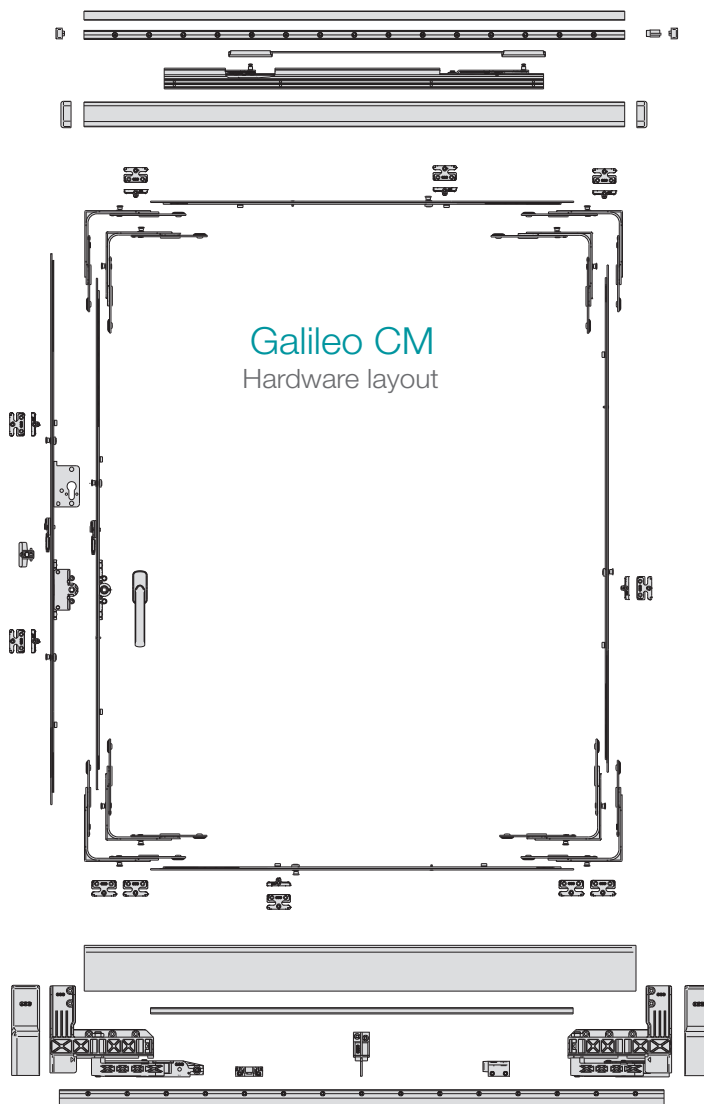
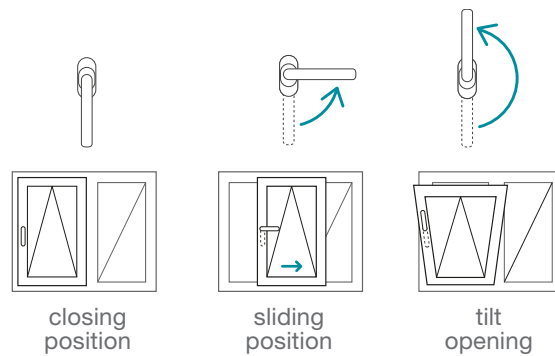
Hospitals

Solutions for coplanar sliding system

The Artech hardware features of modularity and versatility allow to realise coplanar sliding systems.

Galileo CM

Functionalities of coplanar sliding system



ARTech



Alban Giacomo spa

Via A. De Gasperi, 75 - 36060 Romano d'Ezzelino - Italy

+39 0424 832832 - info@agb.it - agb.it