

# OPERA DQ SL

Panic exit lock



# Components



## OPERA DQ SL

85 mm centre lock, 22 mm forend and round ends.  
50-60-70 mm backsets available and enamelled brass plated, nickel plated, matt chromium plated finishes.  
Compatible with AGB electric strikes and any 8 mm spindle handle.

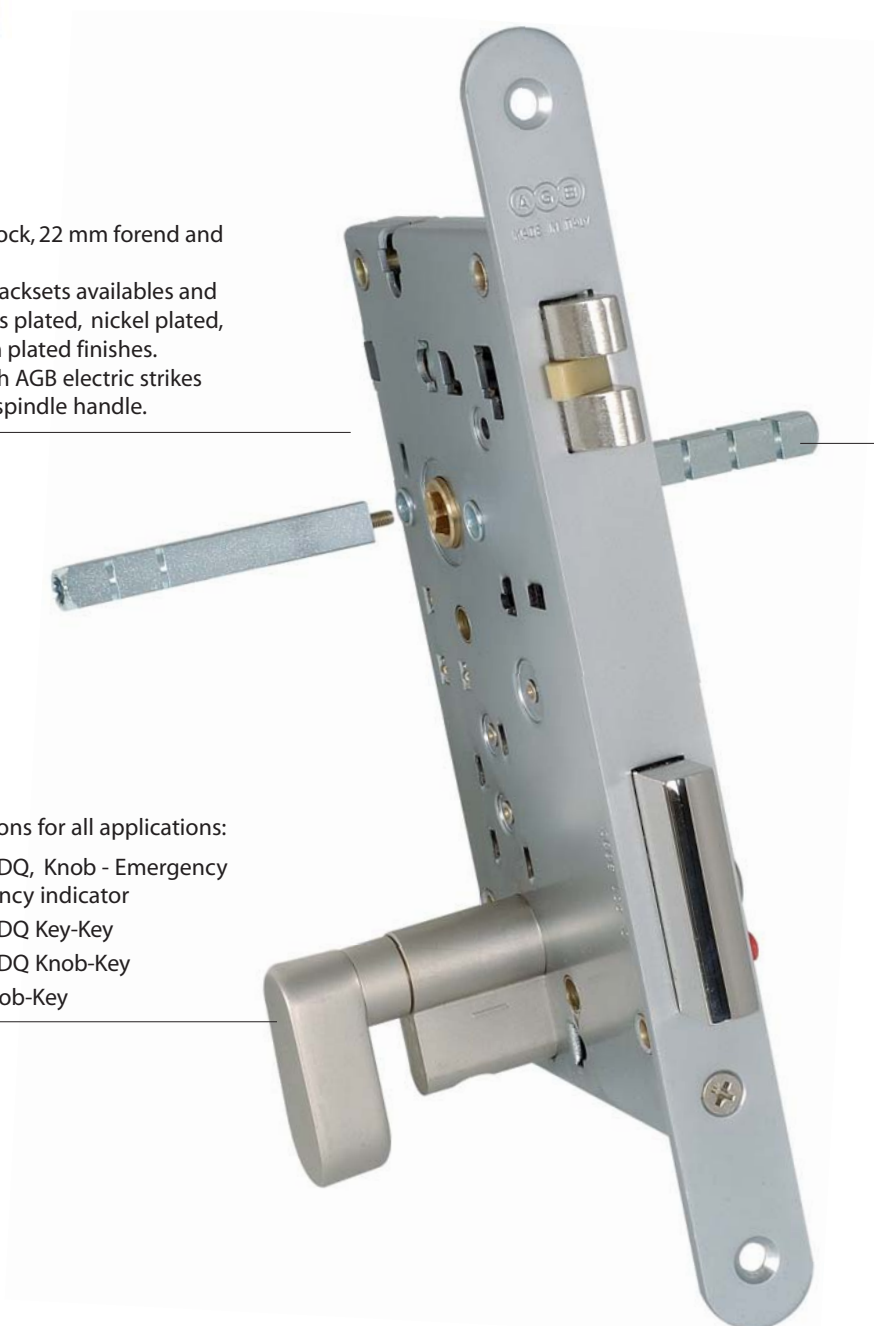
## SPLIT-SPINDLE

Trimmable split-spindle made of steel which separates the movement of the inside and outside handle.

## CYLINDER

4 cylinder versions for all applications:

- ① Mod. Opera DQ, Knob - Emergency with occupancy indicator
- ② Mod. Opera DQ Key-Key
- ③ Mod. Opera DQ Knob-Key
- ④ Mod. 600 Knob-Key



# Cylinders - available versions and systems



① Mod. Opera DQ Knob-Emergency with occupancy indicator



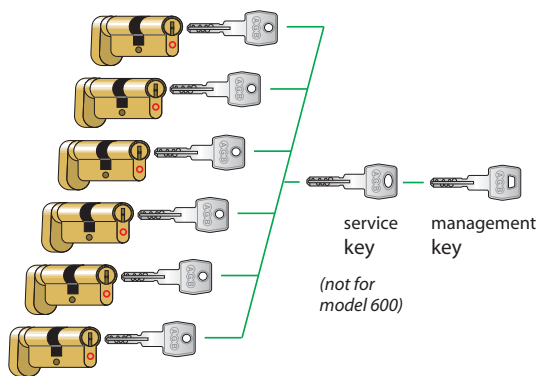
② Mod. Opera DQ Key-Key



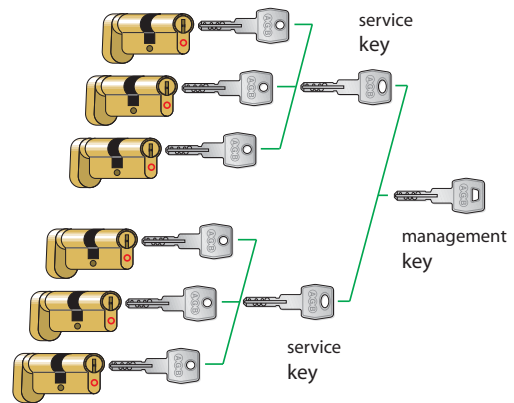
③ Mod. Opera DQ Knob-Key



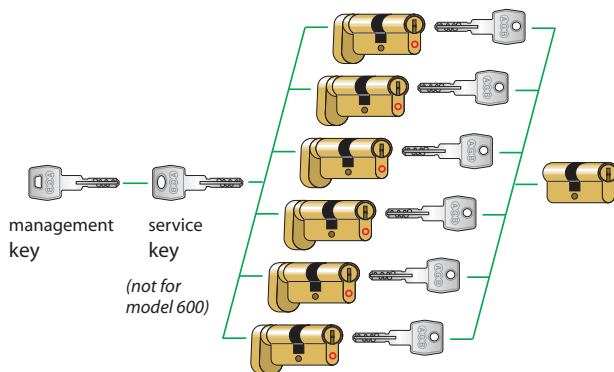
④ Mod. 600 Knob-Key



**System MK**  
Master Key system



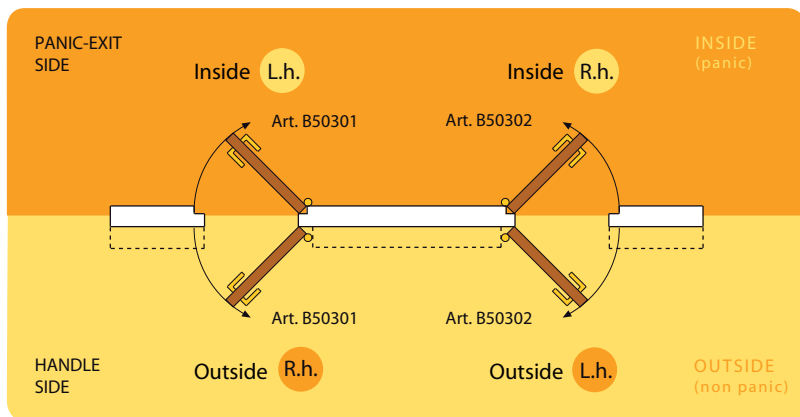
**System GMK**  
General Master Key system



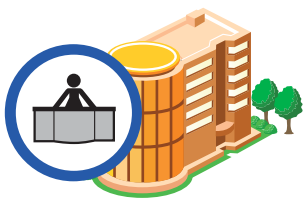
**System CCMK**  
Central Cylinder systems and Master Key

# OPERA DQ SL - Panic exit lock

## Applications



## Ideal for...



**HOTELS**



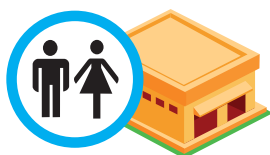
**NURSING AND REST HOMES**



**HOLIDAY RESORTS**

### Items to order:

- Lock (art B50301/2.xx.xx).
- Split-spindle (art B59901.xx.xx).
- Cylinder knob-key mod. Opera DQ or mod. 600.



**BATHROOMS**

### Items to order:

- Lock (art B50301/2.xx.xx).
- Split-spindle (art B59901.xx.xx).
- Cylinder mod. Opera DQ knob-Emergency with occupancy indicator.



**PUBLIC BUILDING ENTRANCES**

### Items to order:

- Lock (art B50301/2.xx.xx).
- Split-spindle (art B59901.xx.xx).
- Cylinder mod. Opera DQ key-key.